

# ZeeWeed\* Ultrafiltration (UF)

model: ZW700B-4100/UF10/7B/S/0.9/5.8

## description and use

As a pioneer of membrane technology, SUEZ lever-ages decades of research, development, and operational experience to offer the most advanced ultrafiltration technology in the market.

The ZeeWeed 700B-4100 (Figure 1) contains our SevenBore\* fiber technology with an inside-out flow orientation. The SevenBore fiber is regarded as the most robust polyether sulfone (PES) product on the market.

## product specifications element data

Description	ZW700B-4100
Material housing & connector	PVC
Element length**	1142 +/- 3.0 mm (44.96 +/- 0.12 inch)
Element length – BSP threaded adaptors	1200 +/- 3.0 mm (47.24 +/- 0.12 inch)
Distance permeate connector to feed connector**	236 +/- 2.0 mm (9.29 +/- 0.08 inch)
Distance permeate connector to feed connector	265 +/-2.0 mm (10.43 +/- 0.08 inch)
Distance permeate connector to element center	90 +/-2.0 mm (3.54 +/- 0.08 inch)
Permeate connection	1 inch BSP thread
Feed connection	1 inch socket or BSP thread
Housing OD	110 mm (4.33 inch)
Element OD	125 mm (4.92 inch)
Endcaps ID**	32 mm (1.26 inch)
Weight	4.5 kg (10 lbs.)

\*\*Without screw ends (provided separately)



Figure 1: ZW700B-4100

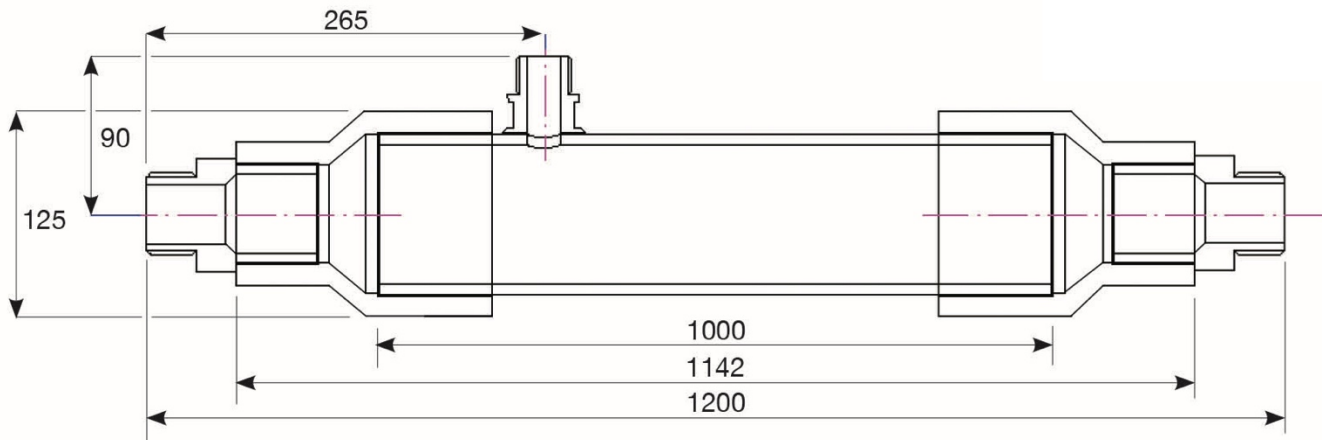
## typical process conditions

Description	Measurement
Maximum operating temperature	40°C (104°F)
Maximum operating pressure	5 bars (72.5 psi)
Trans Membrane Pressure (TMP) operation	<1.0 bar (<14.5 psi)
TMP maximum	2.5 bar (36 psi)
Backwash/forward flush	250 l/m <sup>2</sup> h (150 gfd)
Permeate flow at 100 l/m <sup>2</sup> h	580 l/h (3 gpm)
pH range during operation	2 to 11

Find a contact near you by visiting [www.suezwatertechnologies.com](http://www.suezwatertechnologies.com) and clicking on "Contact Us."

\*Trademark of SUEZ; may be registered in one or more countries.

©2017 SUEZ. All rights reserved.



**Figure 2: ZW700B-4100 Dimensions**

### membrane type

Description	Measurement
Material	PES
Type	SevenBore
Diameter bores ID	0.9 mm (0.04 inch)
Diameter fiber OD	4.0 mm (0.16 inch)
Area	5.8 m <sup>2</sup> (62 ft <sup>2</sup> )

### cleaning

Description	Measurement
Soaking time during cleaning	5 minutes
Cleaning pH range	1.0-13.0
Disinfecting Chemical:	
Hypochlorite (NaOCl)	50 to 200 ppm
Hydrogen Peroxide (H <sub>2</sub> O <sub>2</sub> )	100 to 200 ppm

### general properties

- UF membrane - for optimal removal of particulates, bacteria, and viruses
- PES membrane fibers with 7 bores - provides high mechanical strength (>10x that of single fibers) and chemical resistance

- Inside-Out filtration – eliminates air scouring step and additional related equipment

### storage and handling

All elements are filled with glycerin when new, which is part of the fiber manufacturing and preservation process. Elements must be stored in a dry and normal ventilated location, away from any sources of heat, ignition, and direct sunlight in the original packing. The storage temperature must be between 5°C and 35°C (45°F to 91°F).

### contact us

If you would like more information about SUEZ's UF products, please contact your SUEZ account representative or visit [suezwatertechnologies.com](http://suezwatertechnologies.com).